

All rights reserved by **CNH Industrial**.

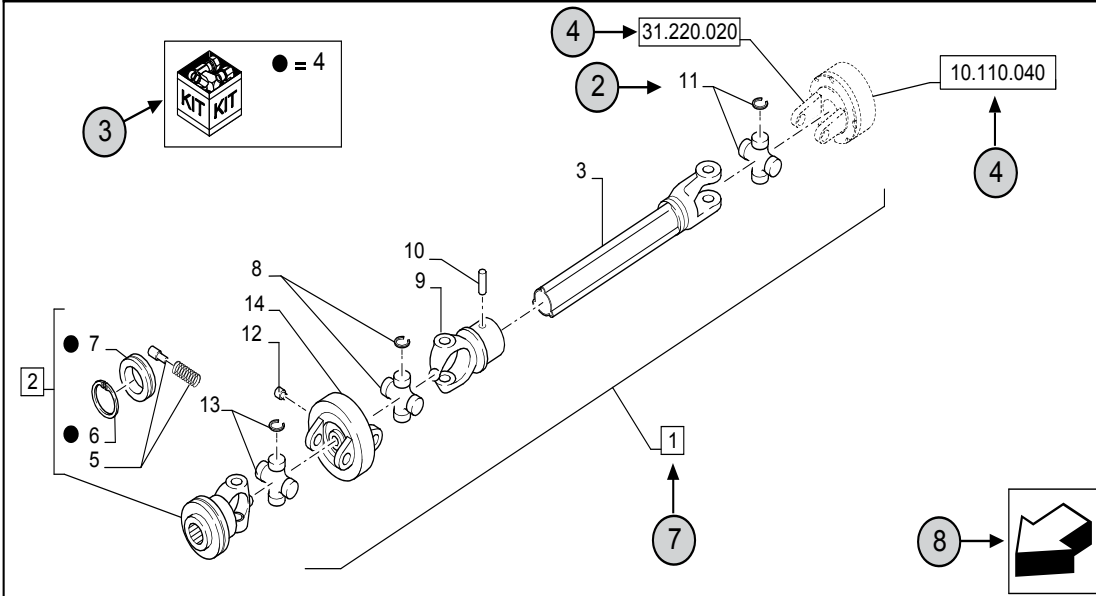
The information contained in this catalogue is intended to be of a general nature only. **CNH Industrial** may at any time and from time to time, for technical or other necessary reasons, modify any of the details or specifications of the product described in this catalogue.

To be sure of getting accurate, detailed and up-to-date information, an intending buyer should consult his nearest **CNH Industrial** dealer or distributor.

Single item numeration method used in this catalogue may not be used without written consent from **CNH Industrial**

31.220.010	01	p1	10/2014
------------	----	----	---------

VAR - 123782, 789101,987654 - PTO - D650



STANDARD ← 6

23	9	10	31.220.010	01	p1	10/2014
----	---	----	------------	----	----	---------

VAR - 123782, 789101,987654 - PTO - D650

11 12 13 14

REF	FN	PART NUMBER	YR/SN	QTY	DESCRIPTION
1	1	86529340	20	1	SHAFT PTO, Incl 2 - 11
2	15	84014007		1	YOKE, Incl 4 - 7 ← 7
3	16	NSS		1	NOT SERVICED SEPARATELY, SHAFT, 350mm, Incl in 1
4		84004292		1	KIT, Seal Kit, Incl 6, 7 ← 17
4		{84058743}		1	KIT, Seal Kit, Incl 6, 7
2	18			21	
	19			22	
		1 = FOR ITALY ONLY ← 5			

MODELS ← 1


- 1 Model Number and Model Description
- 2 Reference - Figure call-out of the part number.
- 3 Parts supplied in repair kits per symbol reference.
- 4 31.220.020 Part illustrated on the **Page** or in the **Figure** indicated, or calls for **Variations** or **Details**. Indicates components shown in detail elsewhere in the catalogue under the figure number shown.
- 5 Footnote references
- 6 Figure notes
- 7 1 2 Includes item(s) (See Description within partlist).
- 8 Orientation. (Arrow indicates front of the machine). 
- 9 Figure description.
- 10 General information of the figure.
- 11 Figure title number that aligns with the SRT. Standard Repair Time.
- 12 **Sequence** code within the assembly.
- 13 Page number within the sequence code.
- 14 **Date** of printing or updating of page (month-year).
- 15 **Note** - Relating to the Part Number. There is a key to symbols and abbreviations at the bottom of the text page.
- 16 Non-serviced parts.
- 17 Further description of the part to help confirm identification.
- 18 Not available as service part.
- 19 Part Number.
- 20 To be defined.
- 21 Total **Quantity** of the Part referred to in the page.
The quantity can be replaced by the following indications:
AR = quantity as requested.
- 22 Part **Description**.
- 23 Variant Codes

TABLE OF CONTENTS

00-01		INITIAL STOCKING LIST (ISL)
00-05		FILTERS & CAPACITIES
01A-01		EE HYDRAULICS - PTO LUBRICATION WITH DIFF LOCK
01A-02		EE HYDRAULICS - PTO LUBRICATION WITHOUT DIFF LOCK
01A-03		EE HYDRAULICS - TPH CIRCUITRY
01A-04		EE HYDRAULICS - AUXILIARY 5 SPOOL REMOTE CIRCUITRY
01A-05		HYDRAULIC CIRCUITRY - HYDROSTATIC, COOLING & IMPLEMENT, BSN RVS057594
01A-05	01	HYDRAULIC CIRCUITRY - HYDROSTATIC, COOLING & IMPLEMENT, ASN RVS057594
01A-06		HYDRAULIC CIRCUITRY - STEERING
01A-07		HYDRAULIC CIRCUITRY - TEST PORT & REDUCING VALVE
01B-01		ENGINE - COOLING SYSTEM
01B-02		ENGINE - AIR INTAKE / EXHAUST & FUEL SYSTEMS
01B-03		ENGINE COMPONENTS & RELATED PARTS
01C-01		POWERTRAIN
01D-01		HEATING AND AIR CONDITIONING SYSTEM
02-01		RADIATOR AND HOSES
02-02		RADIATOR MOUNTING AND FAN SHROUD
02-03		AIR COOLER SYSTEM
02-04		AIR INDUCTION SYSTEM
02-05		AIR CLEANER ASSEMBLY
02-06		EXHAUST SYSTEM
02-07		FAN MOUNTING & RELEATED PARTS
02-08		REVERSIBLE FAN MOUNTING & RELEATED PARTS
02-09		ENGINE ASSEMBLY
02-10		ENGINE MOUNTING
02-11		BLOCK HEATER
02-12		FAN DRIVE
02-13		WATER PUMP - CONTROL
02-14		WATER PUMP ASSEMBLY
02-15		THERMOSTAT - ENGINE COOLING SYSTEM
02-16		ENGINE COOLING SYSTEM
02-17		CRANKCASE
02-18		CRANKSHAFT & FLYWHEEL
02-19		CONNECTING ROD
02-20		PISTON
02-21		FLYWHEEL HOUSING

TABLE OF CONTENTS

02-22		CYLINDER HEAD COVERS
02-23		CYLINDER HEAD
02-24		CAMSHAFT TIMING CONTROL
02-25		ROCKER SHAFT
02-26		INTAKE MANIFOLD
02-27		EXHAUST MANIFOLD
02-28		TURBOCHARGER MOUNTING
02-29		TURBOCHARGER PLUMBING
02-30		HEAT EXCHANGER AND ENGINE OIL FILTER
02-31		ENGINE OIL PAN
02-32		OIL PUMP - ENGINE
02-33		POWER TAKE OFF
02-34		A/C COMPRESSOR MOUNTING
02-35		LIFTING HOOKS, ENGINE
02-36		ENGINE SENSORS
09B-18	01	DIA KIT - REMOTE OIL COOLER
03-01		THROTTLE ASSEMBLY
03-02	01	FUEL TANK & ASSOCIATED PARTS (BSN RVS057005)
03-02	02	FUEL TANK & ASSOCIATED PARTS (ASN RVS057006)
03-03		FUEL INJECTION - FUEL SUPPLY & INJECTORS
03-04		FUEL INJECTION - FUEL RETURN LINES
03-05		FUEL INJECTION - AIR / FUEL CONTROL LINE
03-06		FUEL INJECTION PUMP, MOUNTING & RELATED PARTS
03-07	01	FUEL FILTER (BSN RVS057005)
03-07	02	FUEL FILTER (ASN RVS057006)
03-08		AUXILIARY FUEL FILTER (OPTIONAL) & FUEL LINES
03-09		FUEL FILTER ASSEMBLY
03-11		FUEL INJECTION PUMP ASEMBLY
09B-18	02	DIA KIT - ELECTRIC FUEL PUMP
06-01		EE PTO - GEAR BOX ASSEMBLY
06-02		EE PTO - HOUSING ASSEMBLY, INPUT
06-03		EE PTO GUARDS
06-04		CE PTO - CLUTCH & VALVE ASSEMBLY
06-05		CE PTO SHAFT & GEARS, 2-SPEED NON-SHIFTABLE
06-06		EE & CE PTO GUARDS
06-07		SPLITTER BOX ASSEMBLY

TABLE OF CONTENTS

06-08	FRONT AXLE MOUNTING
06-09	FRONT AXLE TRUNNION MOUNTING
06-10	FRONT AXLE - DIFFERENTIAL CENTER HOUSING
06-11	FRONT AXLE - DIFFERENTIAL & FINAL DRIVE
06-12	FRONT AXLE - DIFFERENTIAL LOCK CONTROL
06-13	REAR AXLE - HOUSING & RELATED PARTS
06-14	REAR AXLE - DIFFERENTIAL & FINAL DRIVE
06-15	REAR AXLE - VENT TUBE
06-16	DRIVESHAFTS & RELATED PARTS
06-17	DRIVESHAFT ASSEMBLIES
07-01	BRAKE PEDAL & RELATED PARTS
07-02	BRAKE RESERVOIR & RELATED PARTS
07-03	HYDRAULIC BRAKES & RELATED PARTS
07-04	PARKING BRAKE
07-05	PARKING BRAKE CABLE & RELATED PARTS
07-06	BRAKE LEVER ASSEMBLY
04-01	RIGHT-HAND ROPS POST, COVER & SWITCHS
04-02	LEFT-HAND ROPS POST, FUSE PANEL & SWITCHES
04-03	(EICS) ELECTRONIC INSTRUMENT CONTROL SYSTEM
04-04	ANTENNA & RADIO
04-05	STARTER ASSY., MOUNTING
04-06	ALTERNATOR MOUNTING
04-07	BATTERIES & CHARGING SYSTEM
04-08	HEAT SHEILD & ATTACHING PARTS
04-09	HARNESS - MAIN CAB
04-10	HARNESS - STEERING & SIDE CONSOLE
04-11	HARNESS - FRONT FRAME
04-12	HARNESS - REAR FRAME
04-13	HEADLIGHTS & RELATED PARTS
04-14	TAILLIGHTS
04-15	WORK & HAZARD LIGHTS, EE & CE
04-16	H.I.D. & HAZARD LIGHTS, EE & CE
04-17	LAMP ASSY., WORK & HAZARD
04-18	ROTATING BEACON
04-19	POTENTIOMETER, EE THREE POINT HITCH POSITION
04-20	POTENTIOMETER, CE THREE POINT HITCH POSITION

TABLE OF CONTENTS

04-21		GROUND SPEED SENSOR
04-22		FUSES & RELAYS
08-01		EE HYDRAULICS - PTO LUBRICATION WITH DIFFERENTIAL LOCK
08-02		EE HYDRAULICS - PTO LUBRICATION WITHOUT DIFFERENTIAL LOCK
08-03		EE HYDRAULICS - DIFFERENTIAL LOCK CIRCUITRY WITHOUT PTO
08-04		EE HYDRAULICS - THREE POINT HITCH CIRCUITRY
08-05		EE HYDRAULICS - AUXILIARY REMOTE CIRCUITRY, 5 SPOOL
08-06		CYLINDER ASSY - EE THREE POINT HITCH LIFT
08-07		HYDROSTATIC MOTOR/ PUMP CIRCUITRY & RELATED PARTS, BSN RVS057593
08-07	01	HYDROSTATIC MOTOR/ PUMP CIRCUITRY & RELATED PARTS, ASN RVS057594
08-08		HYDROSTAIC PUMP CIRCUIRTY & RELATED PARTS
08-09		IMPLEMENT PUMP HYDRAULIC CIRCUITRY
08-10		CHARGE PUMP HYDRAULIC CIRCUIRTY
08-11		HYDRAULIC COOLING CIRCUITRY
08-12		OIL FILTER - HYDROSTATIC PUMP
08-13		OIL FILTER - IMPLEMENT & CHARGE PUMP
08-14		EE THREE POINT HITCH VALVE ASSEMBLY
08-15		HYDROSTATIC PUMP ASSEMBLY
08-16		HYDROSTATIC PUMP ASSEMBLY
08-17		HYDROSTATIC MOTOR ASSEMBLY
08-18		HYDROSTATIC MOTOR ASSEMBLY
08-19		IMPLEMENT PUMP ASSEMBLY
08-20		CHARGE PUMP ASSEMBLY
08-21		CE HYDRAULICS - THREE POINT HITCH LIFT ASSIST RAM
08-22		CE HYDRAULICS - LIFT ASSIST CYLINDER
08-23		CYLINDER, LIFT ASSIST RAM
08-24		CE THREE POINT HITCH LIFT COVER
08-25		CE THREE POINT HITCH VALVE ASSEMBLY
08-26		AUXILIARY REMOTE VALVE MOUNTING
08-27		AUXILIARY REMOTE VALVE, 3 SECTION
08-28		AUXILIARY REMOTE VALVE, 5 SECTION
08-29		BODY ASSY., INLET
08-30		SECTION ASSY., FLOAT
08-31		SECTION ASSEMBLY, FLOAT
08-32		SECTION ASSY., STANDARD
08-33		AUXILIARY HYDRAULICS - LOAD SENSE CIRCUITRY

TABLE OF CONTENTS

08-34	AUXILIARY HYDRAULICS - COUPLERS & HOSES
08-35	AUXILIARY HYDRAULICS - REMOTE VALVE CONNECTIONS
08-36	AUXILIARY HYDRAULIC PUMP & FILTER CIRCUITRY
08-37	AUXILIARY HYDRAULIC PUMP & SHUTTLE VALVE CIRCUITRY
08-38	FILTER ASSY, AUXILIARY PUMP
08-39	PUMP ASSEMBLY, AUXILIARY DRIVE
08-40	AUXILIARY PUMP DRIVE MOUNTING
08-41	AUXILIARY PUMP DRIVE
08-42	3/4" AUXILIARY COUPLER HYDRAULICS
08-43	HYDRAULIC ACCESS COVER
08-44	SPLITTER BOX & RELATED PARTS
08-45	TEST PORT CONNECTIONS
08-46	REDUCING VALVE CONNECTIONS
08-47	REAR AXLE, DIFFERENTIAL LOCK & RELATED PARTS
09A-01	CAB - INSERTS & PLUGS
09A-02	CAB MOUNTING
09A-03	CAB - TRIM & FLOORMATS
09A-04	CAB - HEADLINER ASSEMBLY & CONTROLS
09A-05	HEADLINER CONSOLES
09A-06	CAB ROOF
09A-07	CAB DOORS & GLASS
09A-08	REAR WINDOW & LATCH
09A-09	DOOR ASSEMBLY
09A-10	MIRROR ASSEMBLIES
09A-11	AIR SEAT
09A-12	SEAT CUSHIONS & RELATED PARTS
09A-13	SEAT SUSPENSION
09A-14	RIGHT-HAND ARMREST & RELATED PARTS
09A-15	STEERING CONSOLE & COVERS
09A-16	SIDE CONSOLE CONTROLS
09A-17	F.N.R. LEVER ASSEMBLY
09A-18	CONTROL LEVERS - 3 OR 5 SPOOL HYDRAULICS
09A-19	UPPER & LOWER CABLES TO BELLCRANK
09A-20	FNR BELLCRANK ASSEMBLY
09A-21	FOOT PEDALS
09A-22	BELLCRANK LINKAGE & MOUNTING

TABLE OF CONTENTS

09A-23	AIR DUCTS
09A-24	HEATING SYSTEM
09A-25	AIR CONDITIONING SYSTEM
09A-26	HEATER & A/C BOX ASSEMBLY
09A-27	WINDSHIELD WASHER TUBES
09A-28	WINDSHEILD WIPERS - FRONT & REAR
09A-29	WIPER MOTOR COVER
09A-30	STEP ASSEMBLY - RIGHT HAND
09A-31	STEP ASSEMBLY - LEFT HAND
09A-32	STEP ASSEMBLY - HIGH CLEARANCE
09A-33	DRAWBAR & HANGER - ENGINE END
09A-34	DRAWBAR & HANGER - CAB END
09A-35	EE THREE POINT HITCH, ROCKERSHAFT
09A-36	EE THREE POINT HITCH
09A-37	EE THREE POINT HITCH, UPPER LINK ASSEMBLY
09A-38	EE THREE POINT HITCH, LIFT LINK ASSEMBLY (RH & LH)
09A-39	CE THREE POINT HITCH, LIFT ARMS & RELEATED PARTS
09A-40	CE THREE POINT HITCH, UPPER LINK ASSEMBLY
09A-41	CE THREE POINT HITCH, LIFT LINK ASSEMBLY (RH & LH)
09A-42	EE & CE THREE POINT HITCH, LOWER LIFT LINK
09A-43	EE & CE THREE POINT HITCH, LOWER STABILIZER ASSEMBLY
09A-44	FRONT FENDERS
09A-45	CAB FENDERS
09A-46	HOOD INSTALLATION
09A-47	HOOD SUPPORT & RELATED PARTS
09A-48	FRONT FRAME
09A-49	REAR FRAME
09A-50	GRILL GUARD
09A-51	WHEELS
09A-52	WEIGHTS, WHEEL, 1500 LB, 34" & 38"
09A-53	WEIGHTS & CARRIER W/P.T.O., ENGINE END
09A-54	WEIGHTS & CARRIER L/P.T.O., ENGINE END
09A-55	CE S.M.V. MOUNTING
09A-56	SIDE CONSOLE COVER & DECALS
09A-57	DECALS - HOOD
09A-58	DECALS - EXTERIOR

TABLE OF CONTENTS

09A-58	01	DECALS - EXTERIOR, FRENCH (CANADA)
09A-59		DECALS - CAB
09A-59	01	DECALS - CAB, FRENCH (CANADA)
09A-60		DECALS - CAB
09A-61		DECALS - WARNING
09A-61	01	DECALS - WARNING, FRENCH (CANADA)
09B-01		PLATES & LOCKS FOR LOADER
09B-02		LOADER ASSEMBLY, 82LB
09B-03		LOADER ASSEMBLY, 84LB
09B-04		HARDWARE, LOADER ASSEMBLY - 84LB
09B-05		HYDRAULICS, LOADER - 82LB
09B-06		HYDRAULICS, LOADER - 84LB
09B-07		HYDRAULIC BOOM KIT, 82LB & 84LB
09B-08	01	BUCKET CYLINDER, 82LB BSN Y12WB20475
09B-08	02	BUCKET CYLINDER, 82LB ASN Y12WB20475
09B-09	01	BUCKET CYLINDER, 84LB BSN Y12WB41629
09B-09	02	BUCKET CYLINDER, 84LB ASN Y12WB41629
09B-10	01	LIFT CYLINDER, 82LB BSN Y12WB20475
09B-10	02	LIFT CYLINDER, 82LB ASN Y12WB20475
09B-11	01	LIFT CYLINDER, 84LB BSN Y12WB41629
09B-11	02	LIFT CYLINDER, 84LB ASN Y12WB41629
09B-12		DECALS - LOADER, 82LB & 84LB
09B-13		GRAPPLE
09B-14		CYLINDER ASSY., LIFT
09B-15		MANURE TINE KIT
09B-16		KIT, SPILL GUARD
09B-17		QUICK ATTACH BRACKET KIT
09B-18		DEALER INSTALLED ACCESSORIES
09B-19		HIGH USAGE ITEMS
05-01		STEERING CONSOLE & RELATED PARTS
05-02		STEERING COLUMN
05-03		SWIVEL BASE ASSY.
05-04		LOCK ASSEMBLY, SEAT
05-05		HYDRAULIC STEERING CIRCUITRY
05-06		STEERING SELECTOR VALVE & RELATED PARTS
05-07		STEERING CONTROL VALVE ASSEMBLY

TABLE OF CONTENTS

05-08	STEERING CYLINDER MOUNTING
05-09	STEERING CYLINDER
88.035.01	DIA KIT, AUXILIARY HYDRAULIC SYSTEM L/DRIVE TV6070
88.037.01	DIA KIT, WEIGHT - 2X 1500 LBS FOR 34 WHEEL
88.037.02	DIA KIT, WEIGHT - 2X 1500 LBS FOR 38 WHEEL
88.088.01	DIA KIT, EE WEIGHT - WITH PTO
88.088.02	DIA KIT, INSTALLATION, EE TPH
88.090.01	DIA KIT, TELESCOPIC MIRRORS

SECTION INDEX

GENERAL

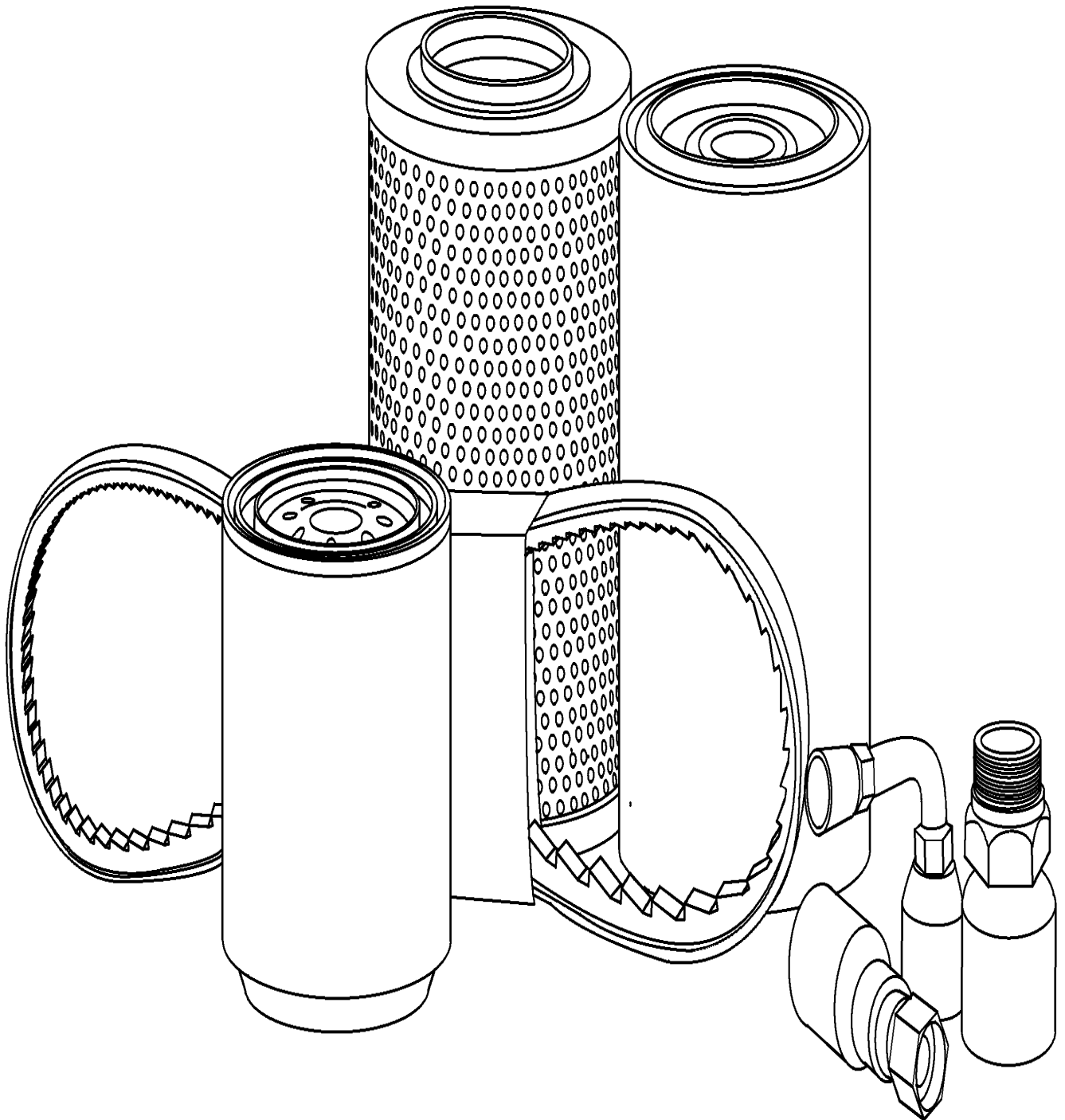
00-01		INITIAL STOCKING LIST (ISL)
00-05		FILTERS & CAPACITIES
01A-01		EE HYDRAULICS - PTO LUBRICATION WITH DIFF LOCK
01A-02		EE HYDRAULICS - PTO LUBRICATION WITHOUT DIFF LOCK
01A-03		EE HYDRAULICS - TPH CIRCUITRY
01A-04		EE HYDRAULICS - AUXILIARY 5 SPOOL REMOTE CIRCUITRY
01A-05		HYDRAULIC CIRCUITRY - HYDROSTATIC, COOLING & IMPLEMENT, BSN RVS057594
01A-05	01	HYDRAULIC CIRCUITRY - HYDROSTATIC, COOLING & IMPLEMENT, ASN RVS057594
01A-06		HYDRAULIC CIRCUITRY - STEERING
01A-07		HYDRAULIC CIRCUITRY - TEST PORT & REDUCING VALVE
01B-01		ENGINE - COOLING SYSTEM
01B-02		ENGINE - AIR INTAKE / EXHAUST & FUEL SYSTEMS
01B-03		ENGINE COMPONENTS & RELATED PARTS
01C-01		POWERTRAIN
01D-01		HEATING AND AIR CONDITIONING SYSTEM

00-01

p1

4/2017

INITIAL STOCKING LIST (ISL)



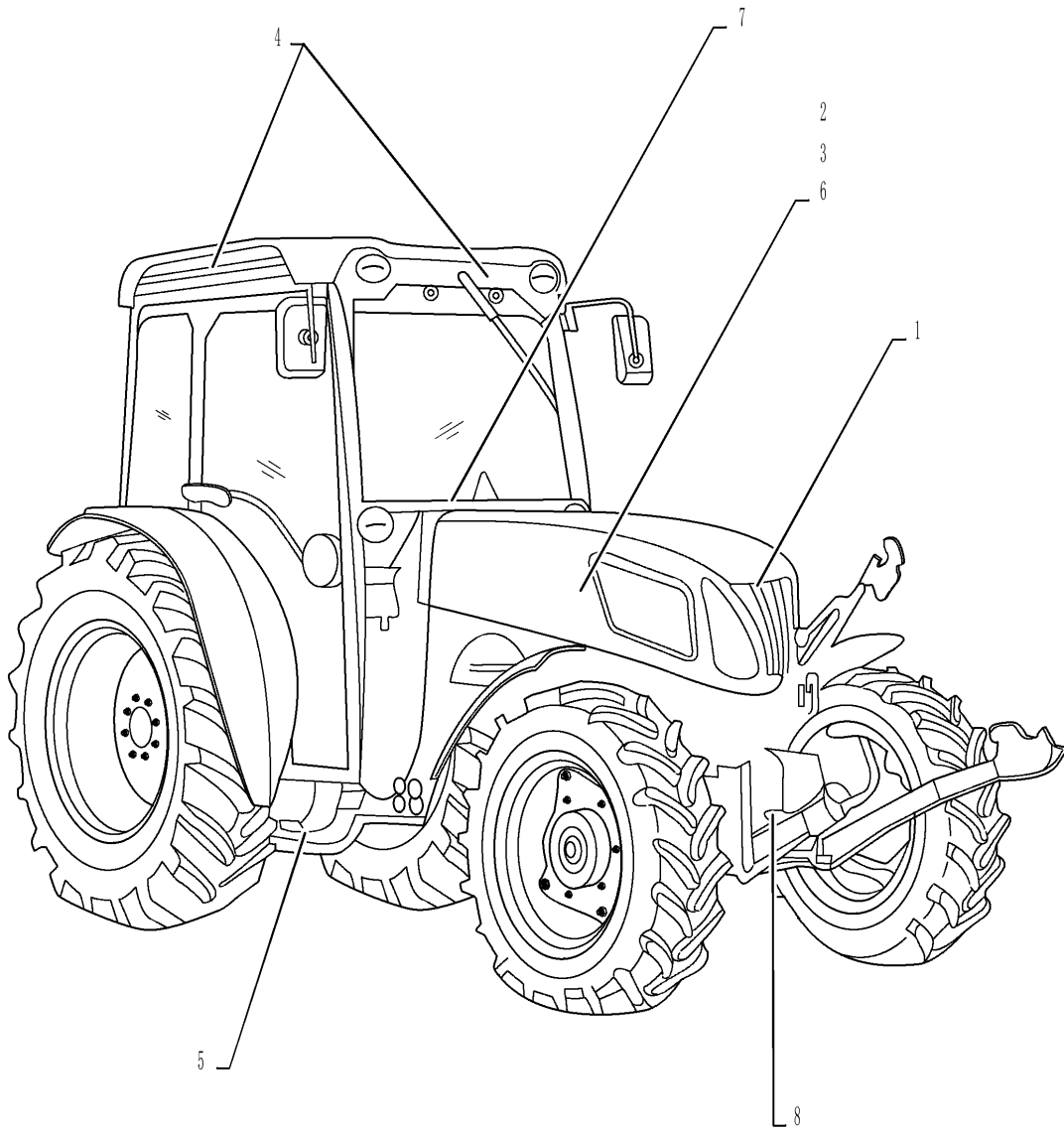
DEALER RECOMMENDED INITIAL PARTS STOCK. DEALER INFORMATION ONLY.

INITIAL STOCKING LIST (ISL)

REF FN	PART NUMBER	YR/SN	QTY DESCRIPTION
	{LIST A}		Parts Required For Preventative Maintenance
1	84171722		1 FUEL FILTER
2	87400394		1 FUEL FILTER In-line
6	82033107		1 AIR FILTER Intake, HVAC, Primary
7	82014790		1 CAB FILTER Air Intake, HVAC, Secondary
8	87424875		1 CAB FILTER Air Recirculation, RH
9	87424874		1 CAB FILTER Air Recirculation, LH
10	86989735		1 HYDRAULIC OIL FILTER Spin On
11	86016760		1 HYDRAULIC OIL FILTER Element, 5 Micron
12	87552298		1 ELEMENT Hydrostatic Pump, Charged, 30 Micron
14	84128639		1 BELT A/C compressor
	{LIST B}		Parts Required For Preventative Maintenance And Basic Repair
15	2830987		1 SENSOR Water
16	2852157		1 SENSOR Thermosensor - Grid Heater
17	2852889		1 PRESSURE SWITCH Oil Sensor
18	2856350		1 SENSOR Water KSB Sensor
19	87324388		2 FILLER CAP Fuel, w/Gasket
20	2858050		1 THERMOSTAT 60.8mm OD
21	9707517		2 WIPER BLADE Engine End
23	2853552		1 SENSOR Crankshaft Speed
24	87605245		1 POTENTIOMETER 4000 Ohm, 13.5 VDC TPH
25	84130883		2 RADIATOR HOSE 44.50 mm ID x 85,95 mm, SAE 20R4 Coolant Inlet
26	87563093		1 HOSE Coolant Return

TV6070-BIDIRECTIONAL TRACTOR

FILTERS & CAPACITIES

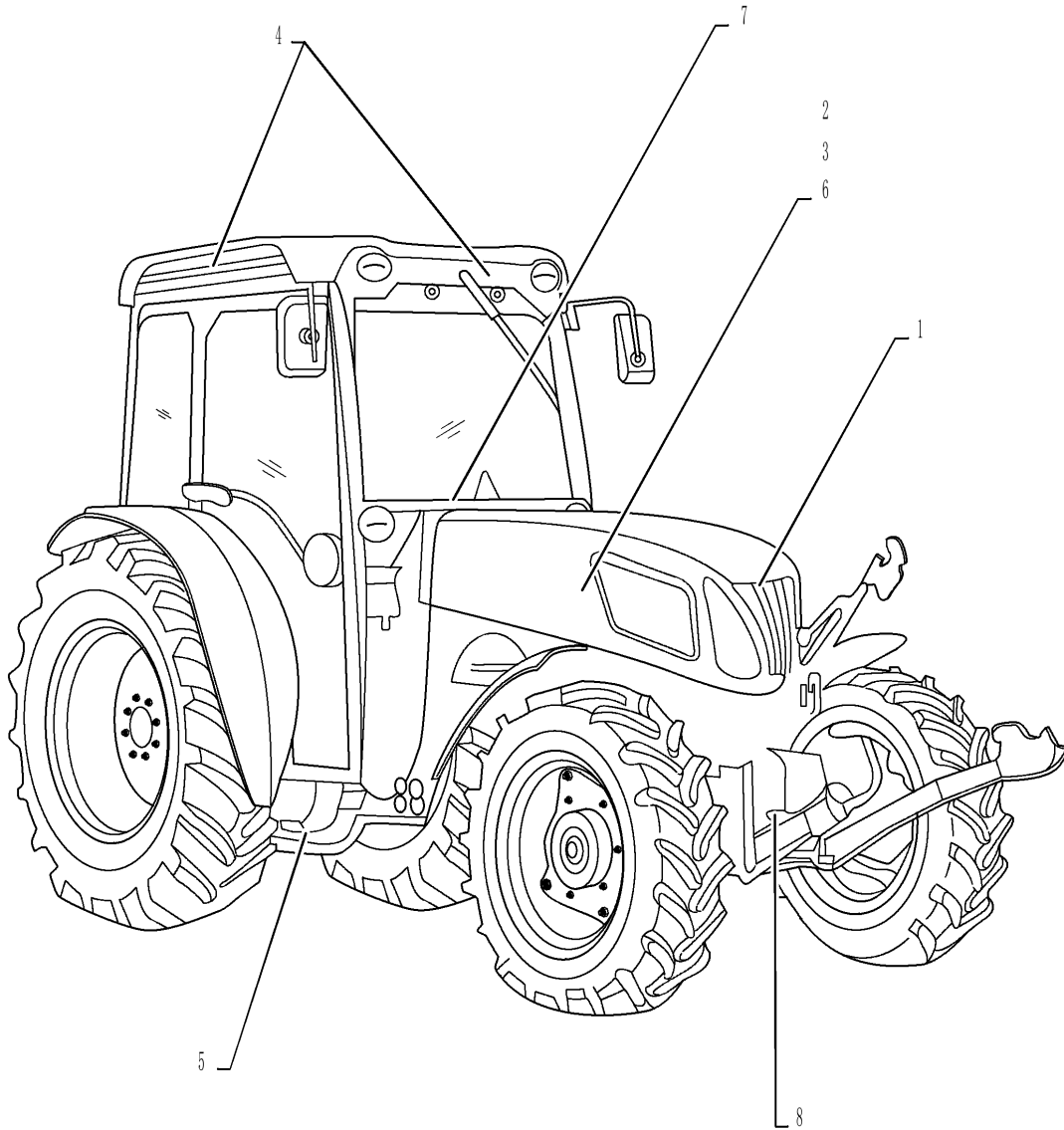


FILTERS & CAPACITIES

REF FN	PART NUMBER	YR/SN	QTY DESCRIPTION
1	REF		INSTRUCTION Cooling System Capacity, 45.0 Liters (12 Gallons)
2	84228488		1 ENGINE OIL FILTER
2	LF16117		1 ENGINE OIL FILTER Ship Direct Part
2	REF		INSTRUCTION Engine Oil Capacity With Filter, 17 Liters (4.49 Gallons)
2	REF		INSTRUCTION Engine Oil Type, Recomendded: SAE 15W-40 Ambra MasterGold HSP
3	87682990		1 AIR FILTER Primary, 105.9mm ID x 207.6mm OD x 409.5mm L Engine Air, Outer
3	87683000		1 AIR FILTER Safety, 108.5mm OD x 403.1mm L Engine Air, Inner, Secondary
3	84179921		1 FILTER Compressor, Foam
4	82033107		2 AIR FILTER Cab Intake, Primary
4	82014790		2 CAB FILTER Air Ducts, Outside Air
4	87424874		1 CAB FILTER Air, Recirculation (LH)
4	87424875		1 CAB FILTER Air, Recirculation (RH)
5	86016760		1 HYDRAULIC OIL FILTER Auxiliary Hydraulic Pump
5	84239751		1 HYDRAULIC OIL FILTER Implement and Charge Pump
5	87414003		1 FILTER Hydraulic Oil, Auxiliary Pump (5 micron - High Pressure)
5	87552298		1 ELEMENT Hydraulic Oil Filter, Hydrostatic Pump (11 micron Filter)
5	HF29000		1 HYDRAULIC OIL FILTER Auxiliary Hydraulic Pump, Ship Direct Part
5	HF6557		1 HYDRAULIC OIL FILTER SPIN-ON Implement and Charge Pump, Ship Direct Part
5	9703991		1 FILTER STRAINER Charge Supply
5	1 REF		INSTRUCTION Hydraulic Oil Capacity with Filter Change, 51.1 Liters (13.5 Gallons)
6	D139225		1 FILTER, FUEL Inline
(1)	Hydraulic Oil Type, Recomendded: Ambra Multi G 134 or Ambra MasterTran SSL All Season		

TV6070-BIDIRECTIONAL TRACTOR

FILTERS & CAPACITIES



**Thanks very much for your reading,
Want to get more information,
Please click here, Then get the complete
manual**

JustClickHere 

NOTE:

**If there is no response to click on the link above,
please download the PDF document first, and then
click on it.**

**Have any questions please write to me:
admin@servicemanualperfect.com**